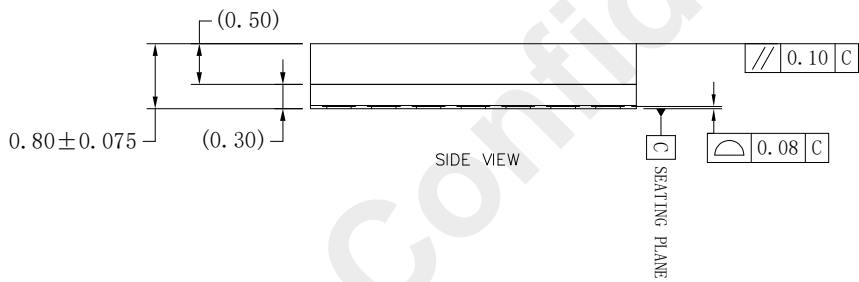
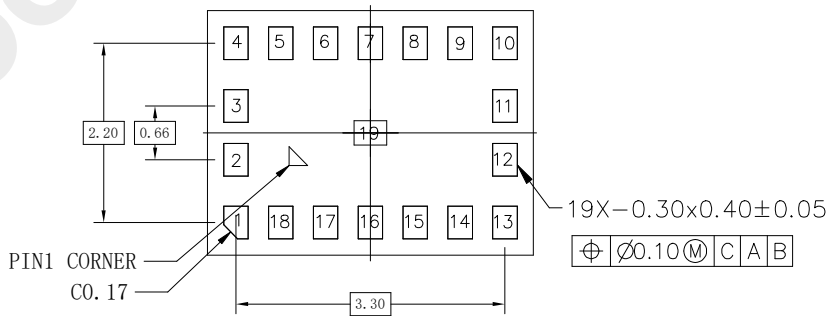


TOP VIEW



SIDE VIEW



BOTTOM VIEW

No.	PIN
1	MISO
2	IIC_EN
3	HBD_ON
4	VPP
5	RSTN
6	INT
7	AVDD18
8	GND
9	LED_GND
10	VCC
11	LED_DRV0
12	LED_DRV1
13	LED_DRV2
14	VDDIO
15	DVDD18
16	CS/SDA
17	MOSI/SCL
18	CLK
19	GINT

REV	DESCRIPTION	DATE
V1.0	UPDATE TO V1.0	2021-04-20

COUNTERSIGN	SIGNATURE	DATE
UNSPECIFIED TOLERANCES		
LENGTHS	±0.05	
ANGLES	±0.50°	
SCALE	1:1	
UNIT	mm	PROJECTION

GOODIX	
深圳市汇顶科技股份有限公司 Shenzhen Goodix Technology Co. Ltd	
FILE NAME	GH3011 (4X3X0.8)_POD
SHT	1/1

NOTICE OF PROPRIETARY PROPERTY:
THE INFORMATION CONTAINED HEREIN IS THE PROPRIETARY PROPERTY OF Shenzhen Goodix Technology Co. Ltd. THE POSSESSOR AGREES TO THE FOLLOWING:
(1) TO MAINTAIN THIS DOCUMENT IN CONFIDENCE
(2) NOT TO REPRODUCE OR COPY IT
(3) NOT TO REVEAL OR PUBLISH IT IN WHOLE OR PART
(4) ALL RIGHTS RESERVED