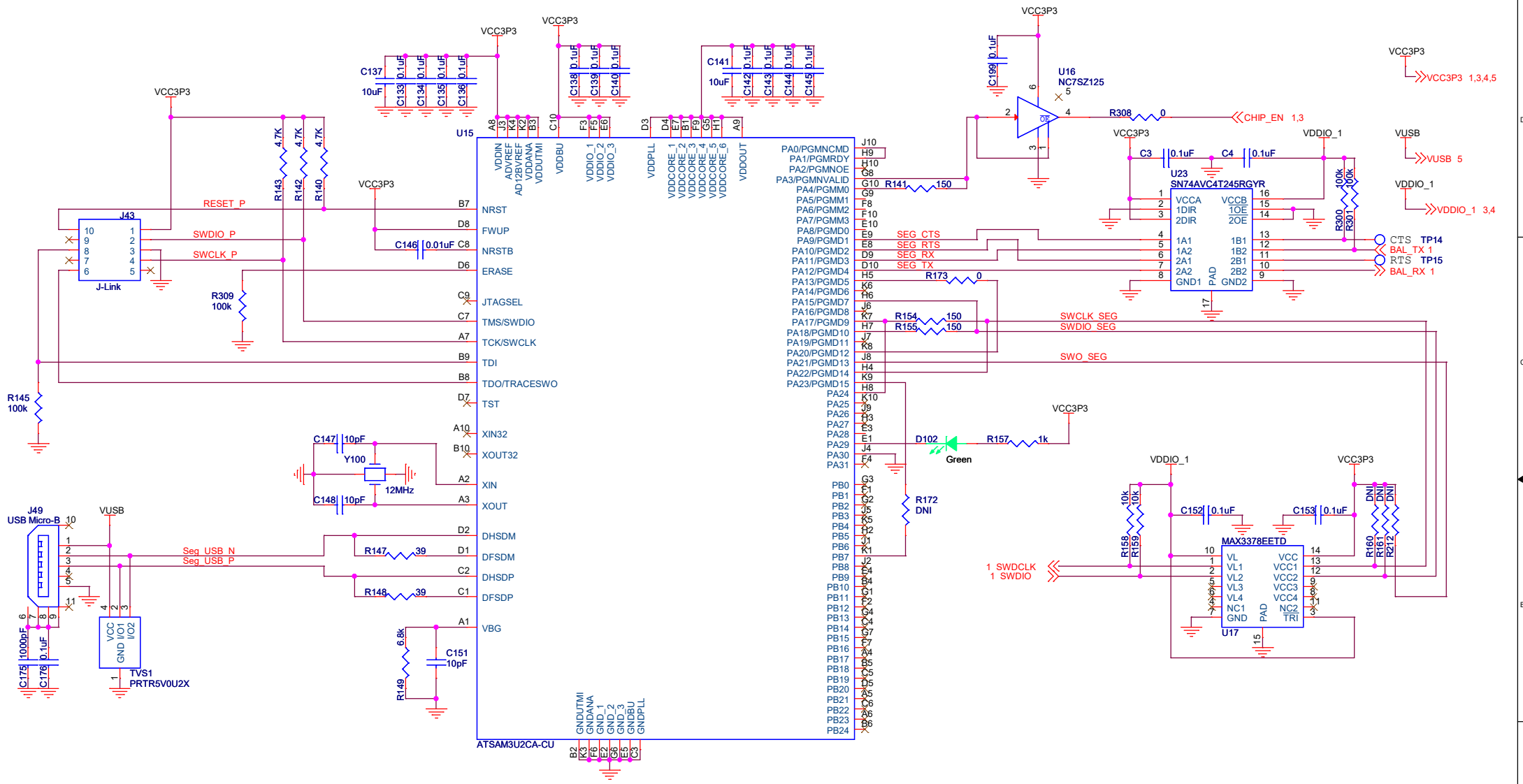
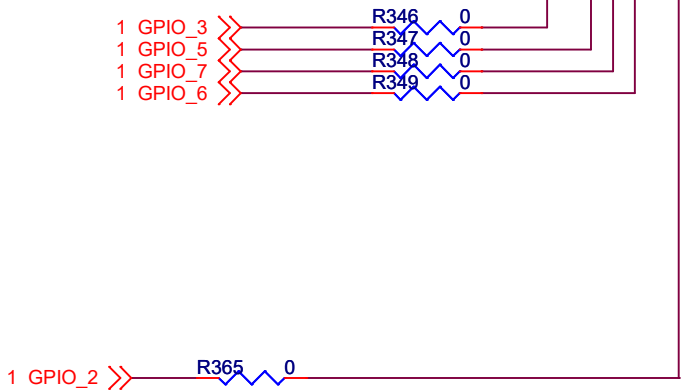
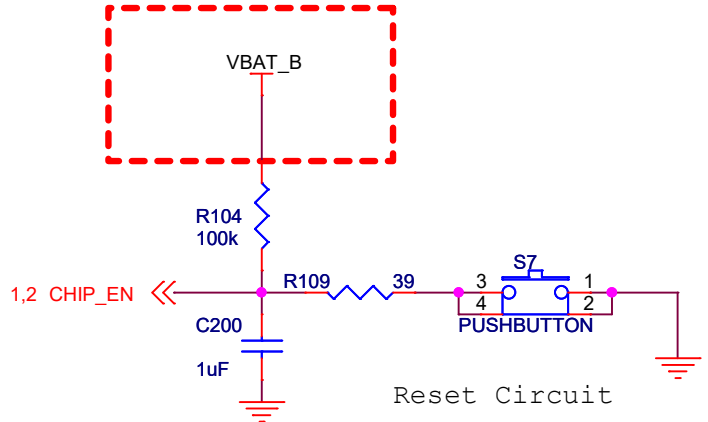
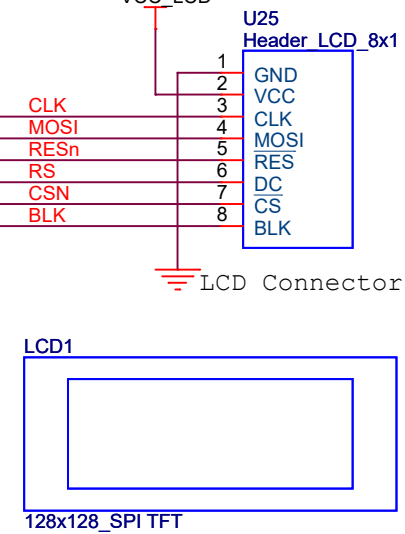
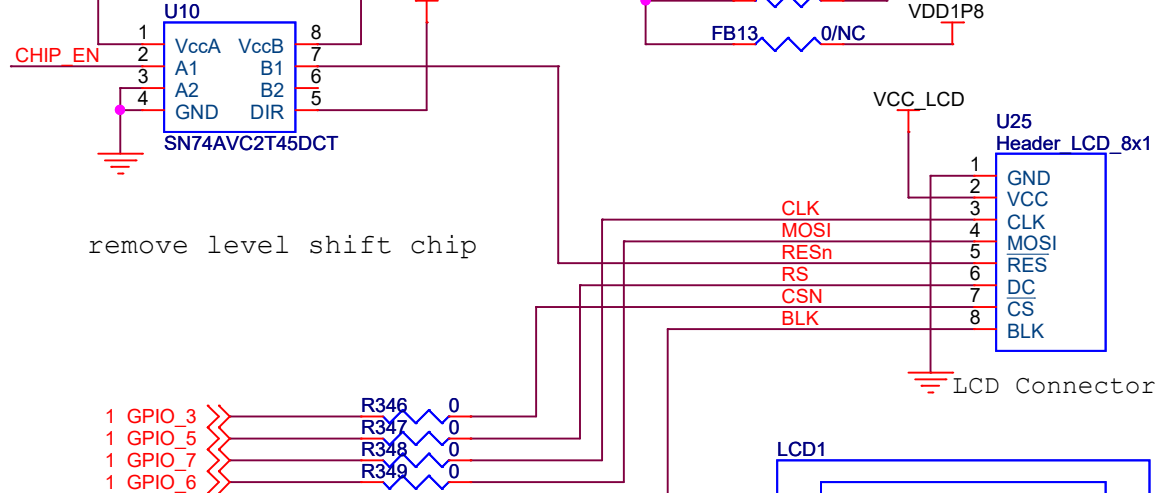
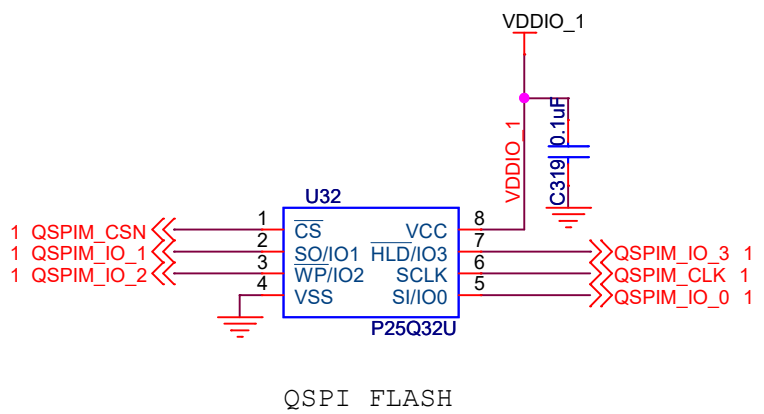
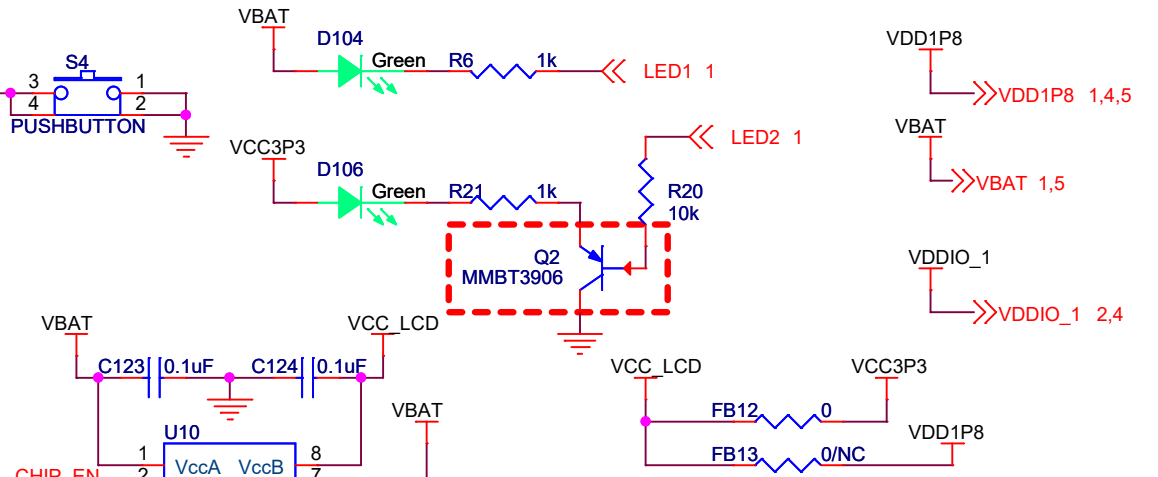
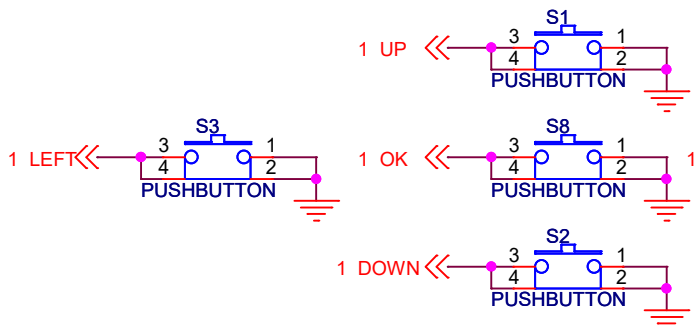


GOODIX Shenzhen Goodix Technology CO.,LTD			
Title GR5515 Starter Kit -GR5515			
Size B	Document Number GR5515-SK-BASIC-001		Rev E
Date:	Wednesday, July 20, 2022	Sheet	1 of 5

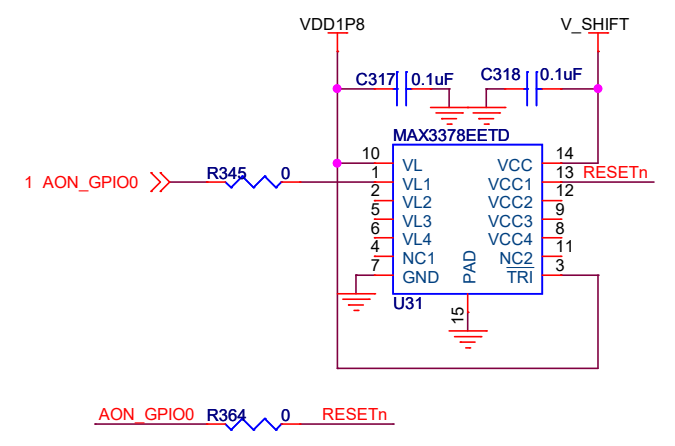
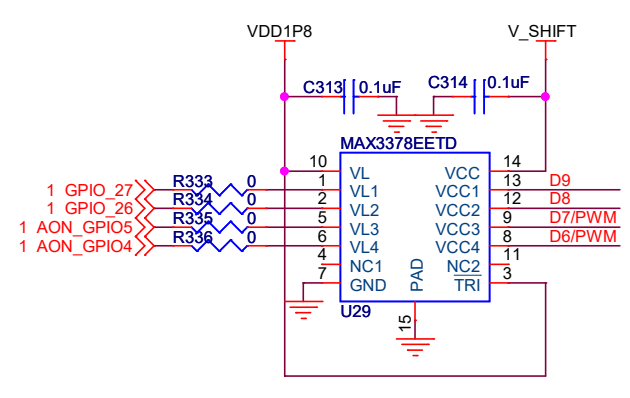
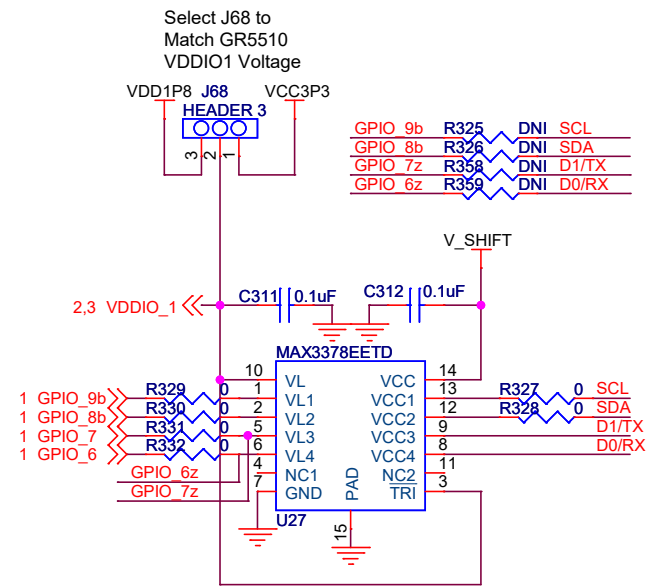
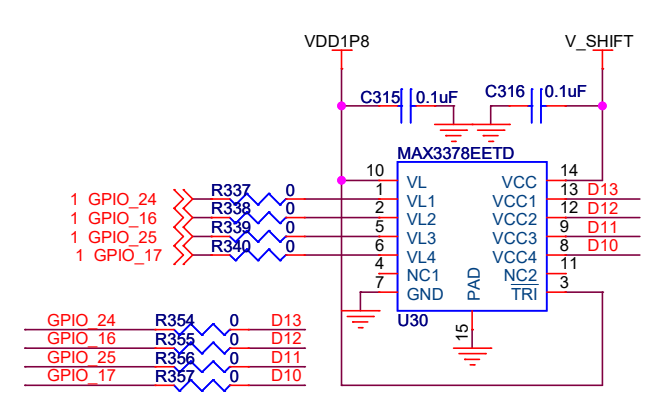
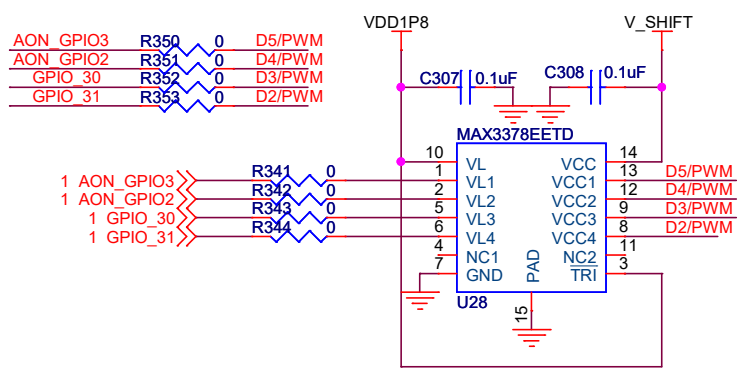
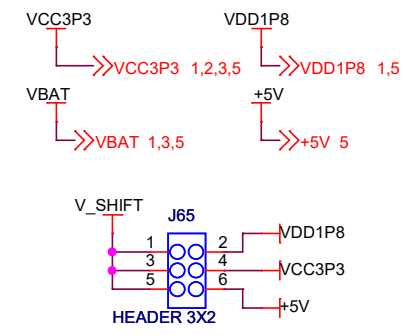
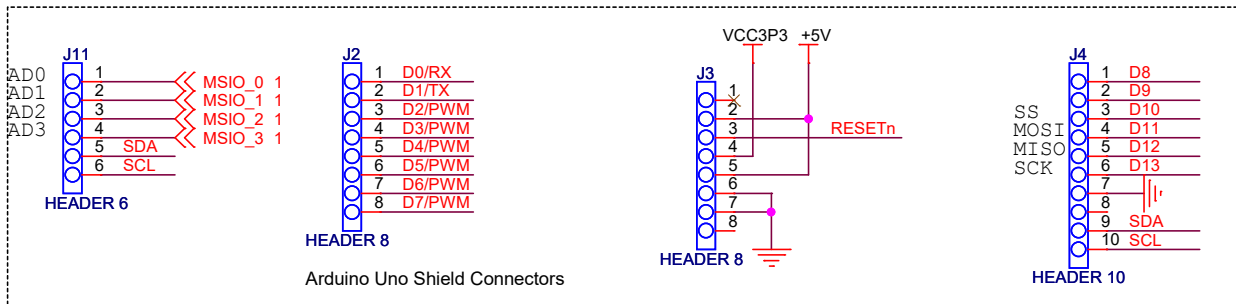


J-LINK OB
www.segger.com

GOODIX Shenzhen Goodix Technology CO.,LTD		
Title GR5515 Starter Kit - J-Link		
Size B	Document Number GR5515-SK-BASIC-001	Rev E
Date:	Wednesday, July 20, 2022	Sheet 2 of 5



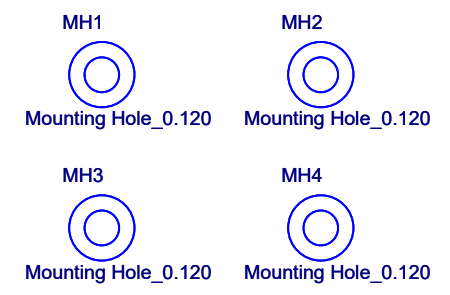
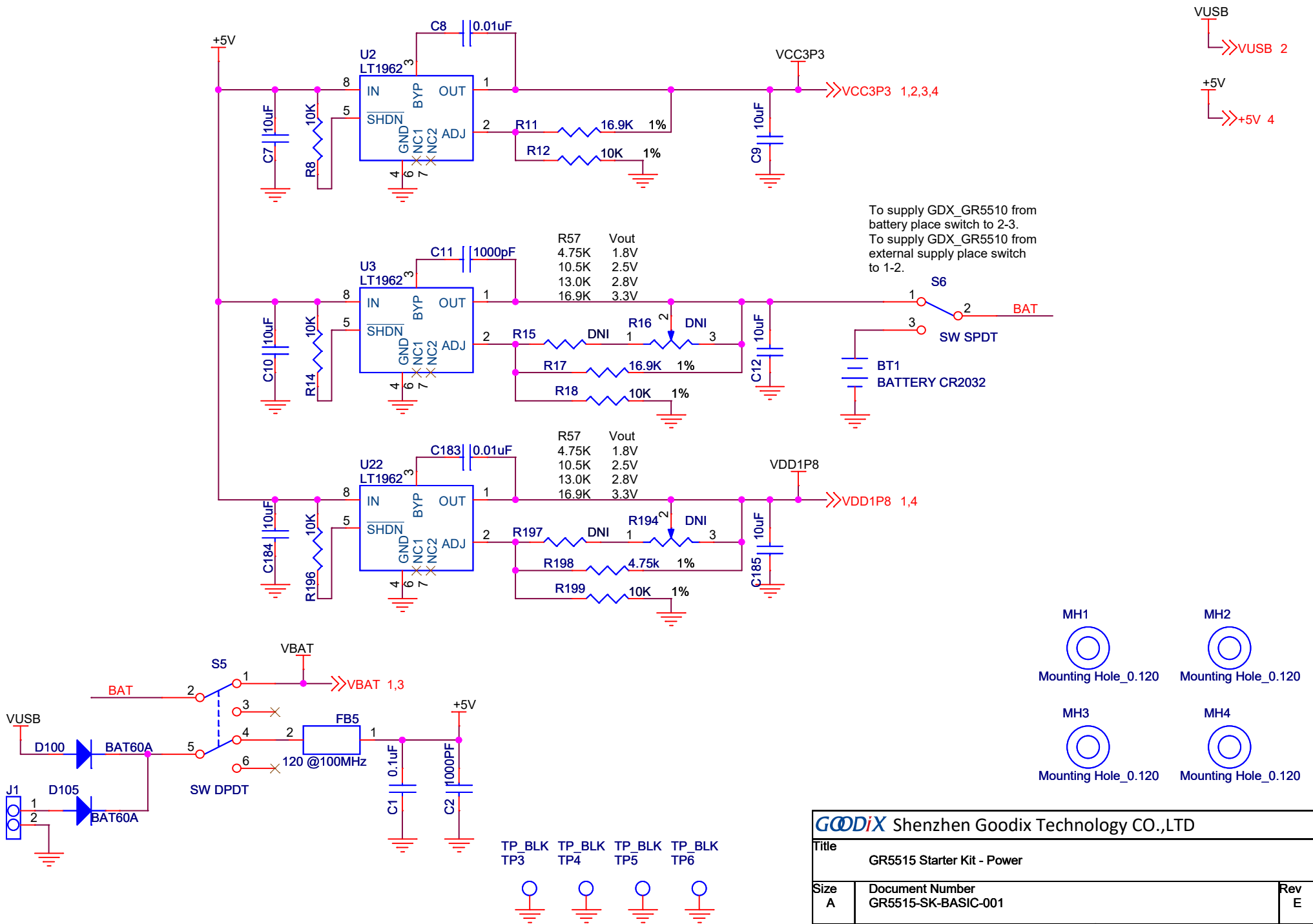
GOODiX Shenzhen Goodix Technology CO.,LTD		
Title GR5515 Starter Kit - Peripherals		
Size A	Document Number GR5515-SK-BASIC-001	Rev E
Date: Wednesday, July 20, 2022	Sheet 3	of 5



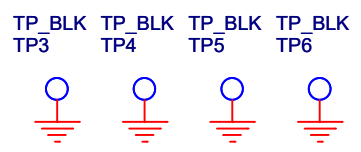
GODiX Shenzhen Goodix Technology CO.,LTD

Title: GR5515 Starter Kit - Shield Connectors

Size A	Document Number: GR5515-SK-BASIC-001	Rev E
Date: Wednesday, July 20, 2022	Sheet 4 of 5	



GOODiX Shenzhen Goodix Technology CO.,LTD		
Title GR5515 Starter Kit - Power		
Size A	Document Number GR5515-SK-BASIC-001	Rev E
Date:	Wednesday, July 20, 2022	Sheet 5 of 5



To supply GD_X_GR5510 from battery place switch to 2-3.
 To supply GD_X_GR5510 from external supply place switch to 1-2.