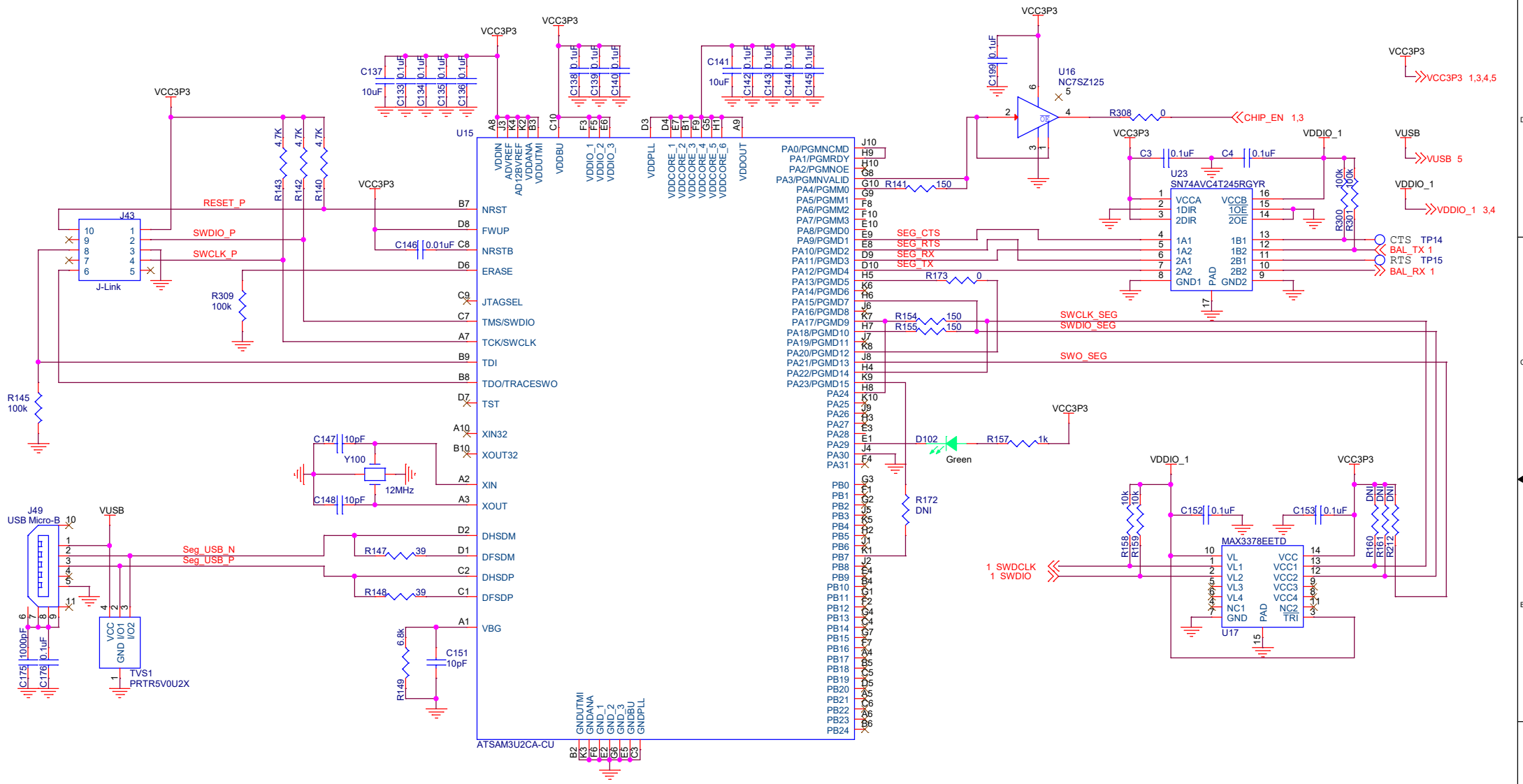
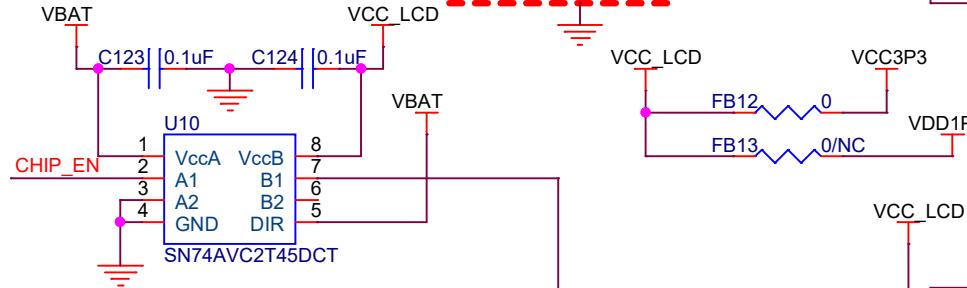
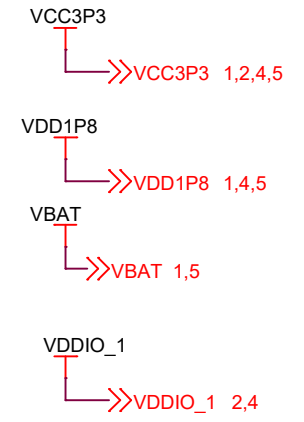
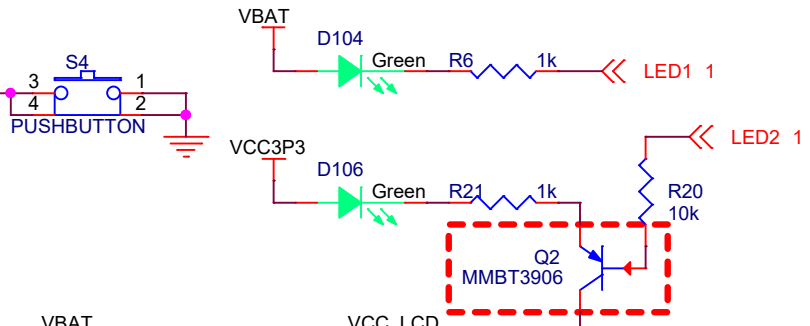
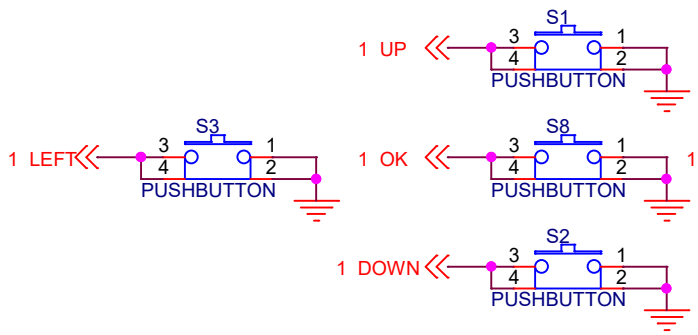


GOODIX Shenzhen Goodix Technology CO.,LTD			
Title		GR5515SRGBD	
Size	B	GR5515-SK-BASIC	Rev E
Date:	Saturday, May 06, 2023	Sheet	1 of 5

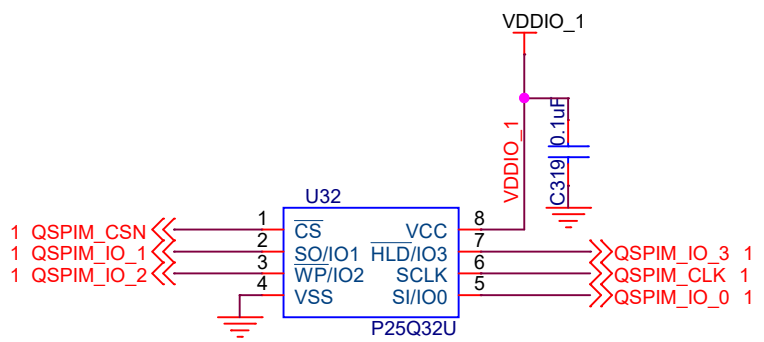


J-LINK OB
www.segger.com

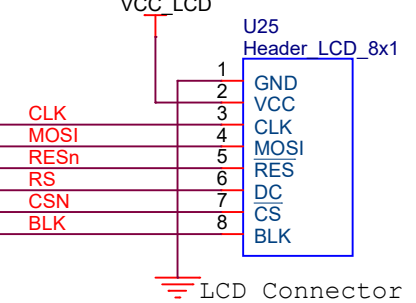
GOODIX Shenzhen Goodix Technology CO.,LTD	
Title JLINK & UART	
Size B	GR5515-SK-BASIC
Date:	Thursday, May 04, 2023
Sheet	1 of 5
Rev	E



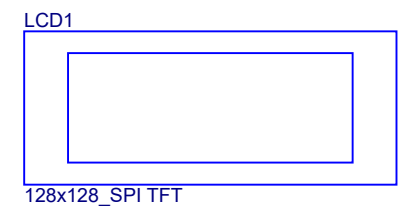
remove level shift chip



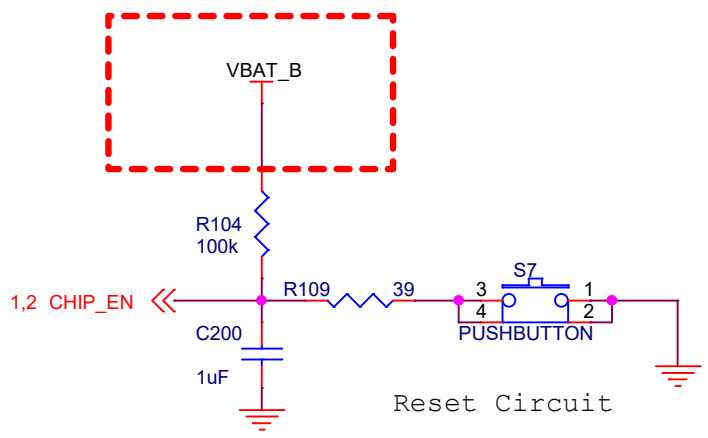
QSPI FLASH



LCD Connector

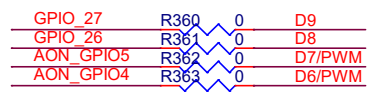
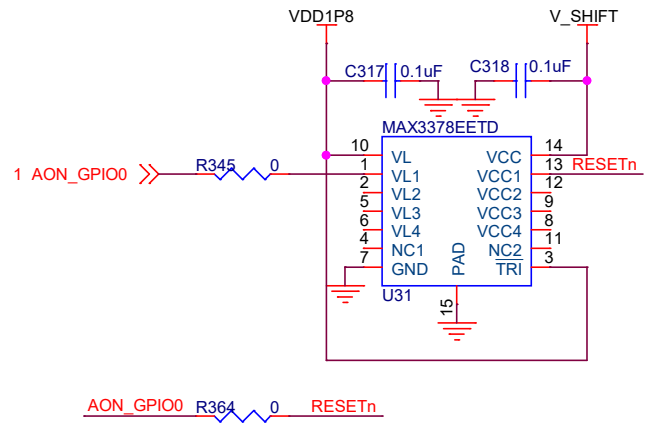
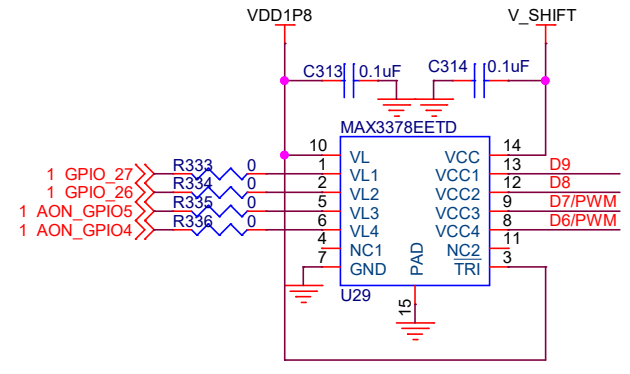
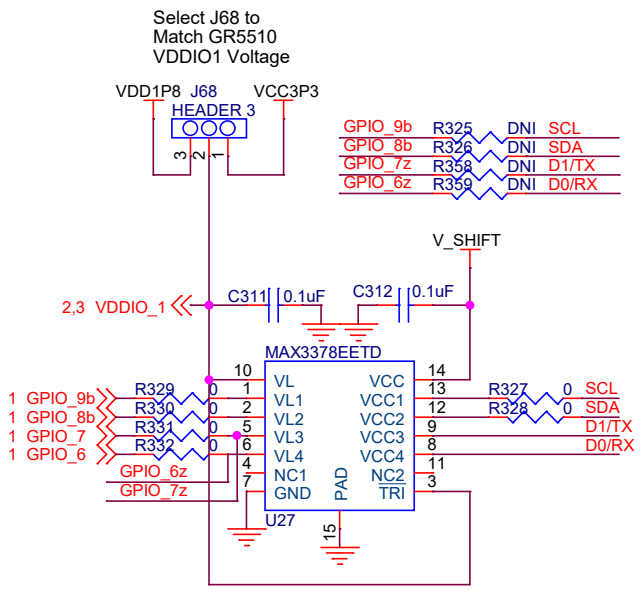
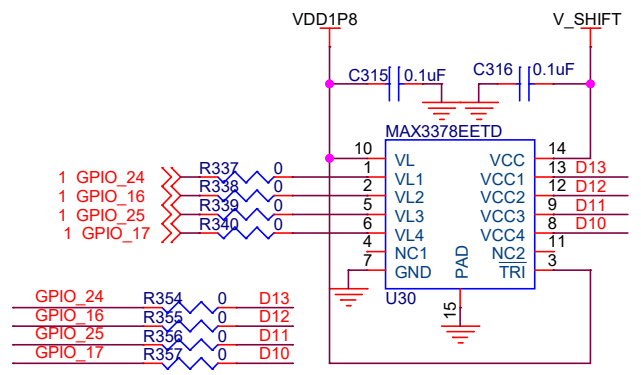
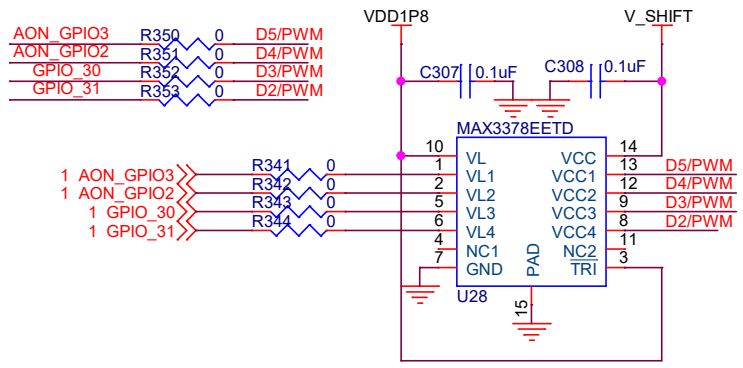
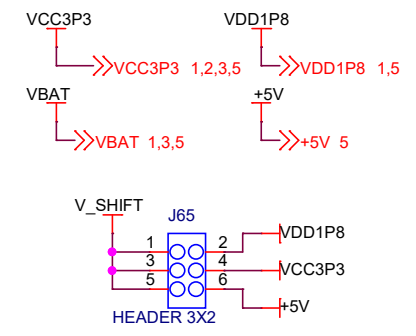
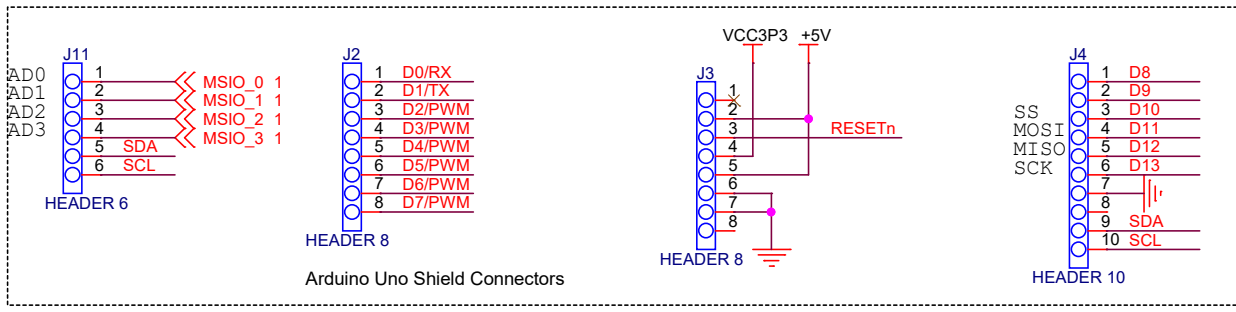


128x128_SPI TFT



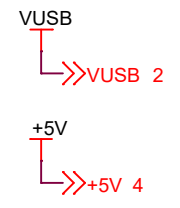
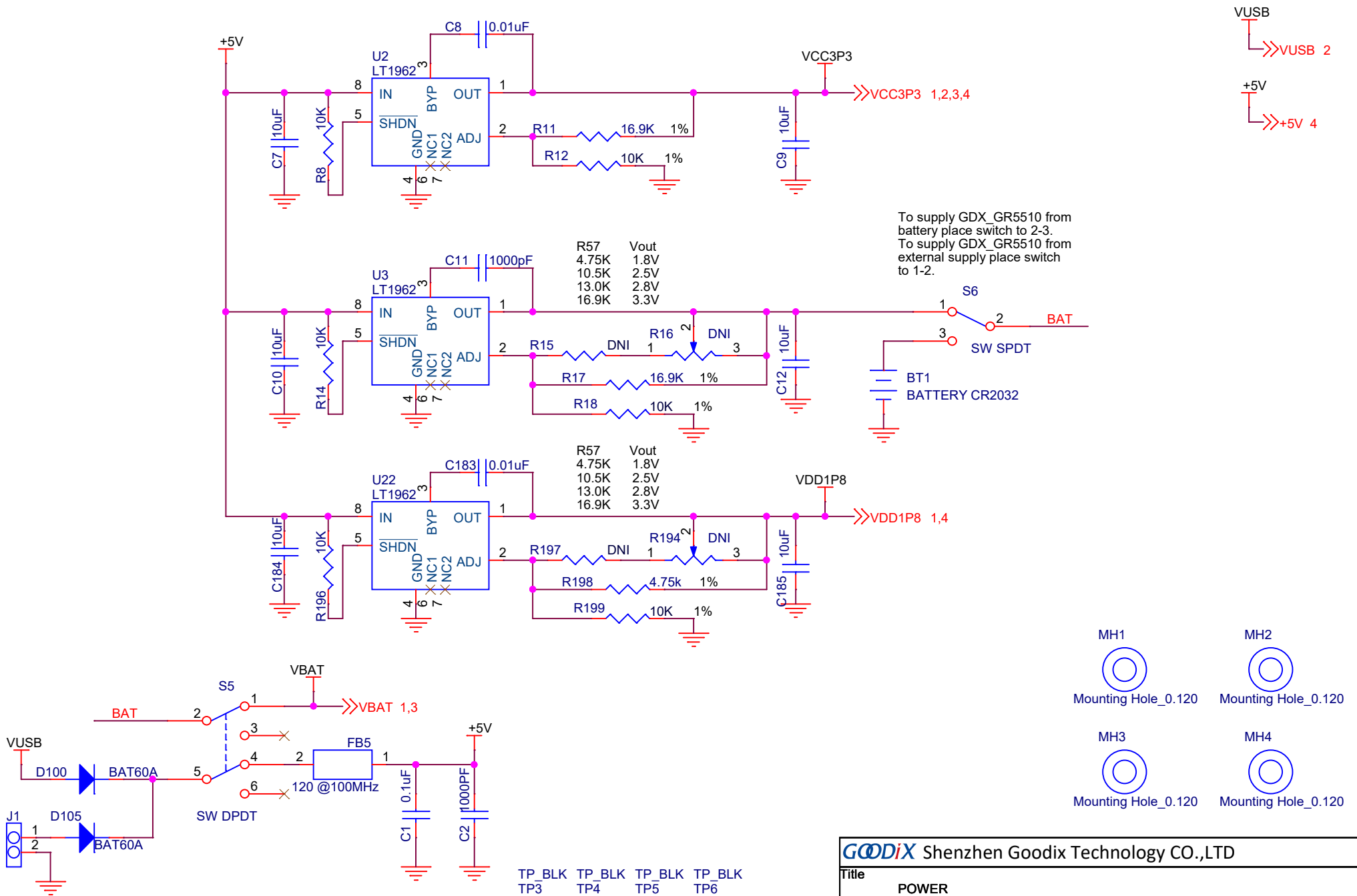
Reset Circuit

GOODiX Shenzhen Goodix Technology CO.,LTD		
Title PERIPHERALS		
Size A	GR5515-SK-BASIC	Rev E
Date:	Thursday, May 04, 2023	Sheet 1 of 5

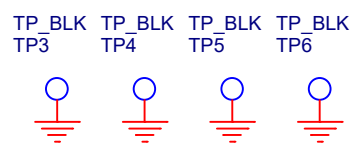
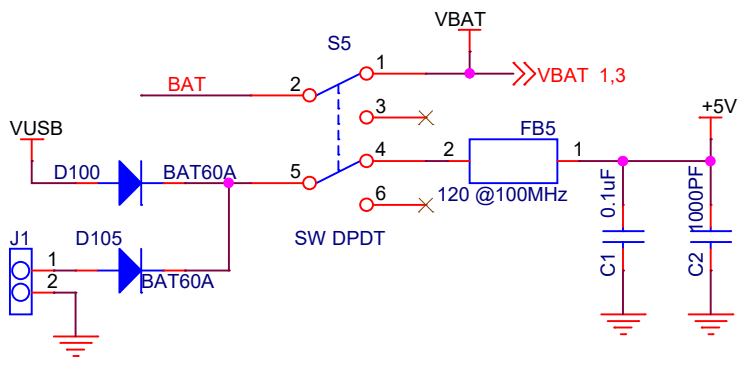
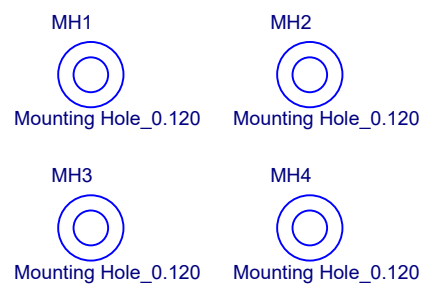


GODiX Shenzhen Goodix Technology CO.,LTD

Title		LEVEL SHIFTER & CONNECTOR	
Size	A	GR5515-SK-BASIC	Rev E
Date:	Thursday, May 04, 2023	Sheet	1 of 5

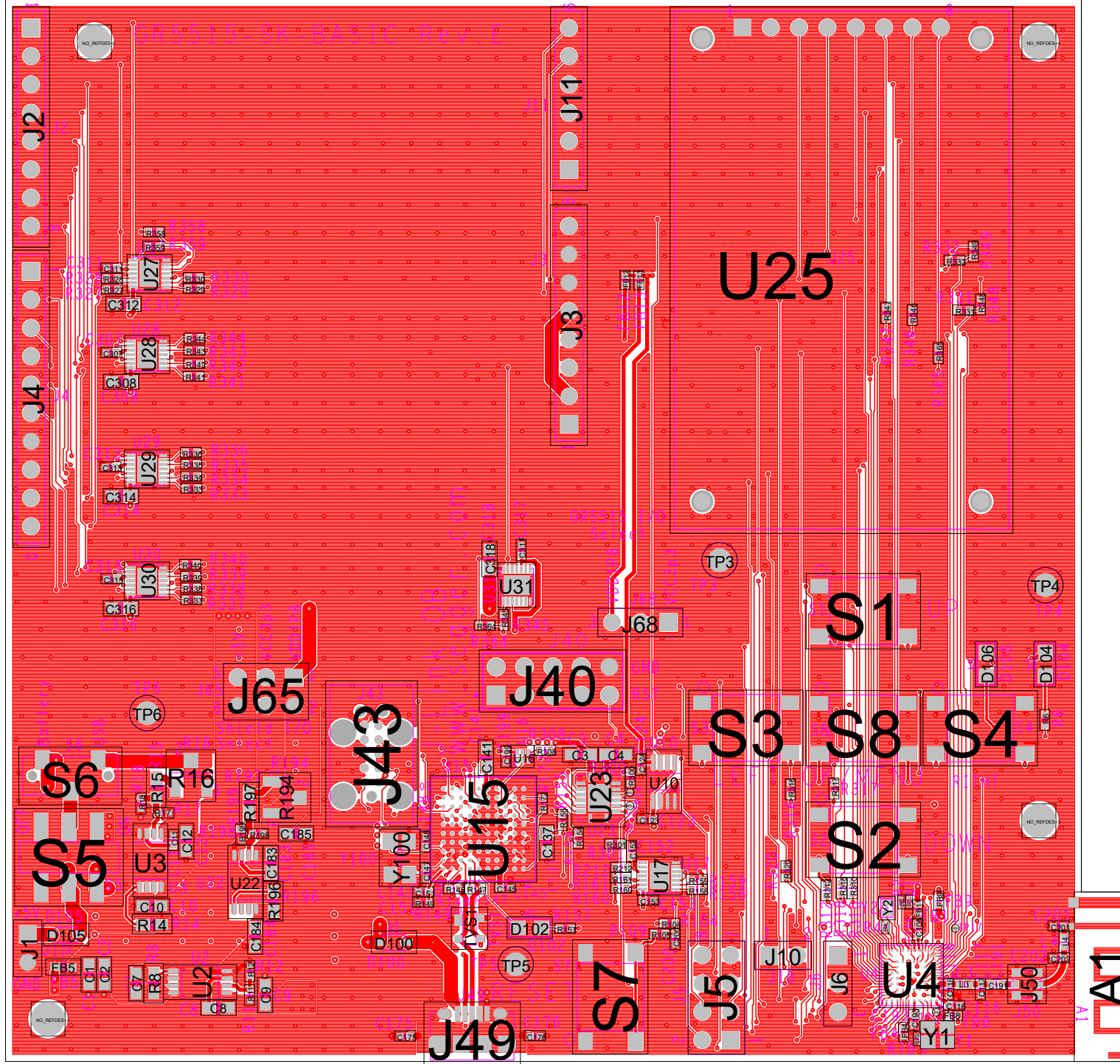


To supply GD_X_GR5510 from battery place switch to 2-3.
 To supply GD_X_GR5510 from external supply place switch to 1-2.

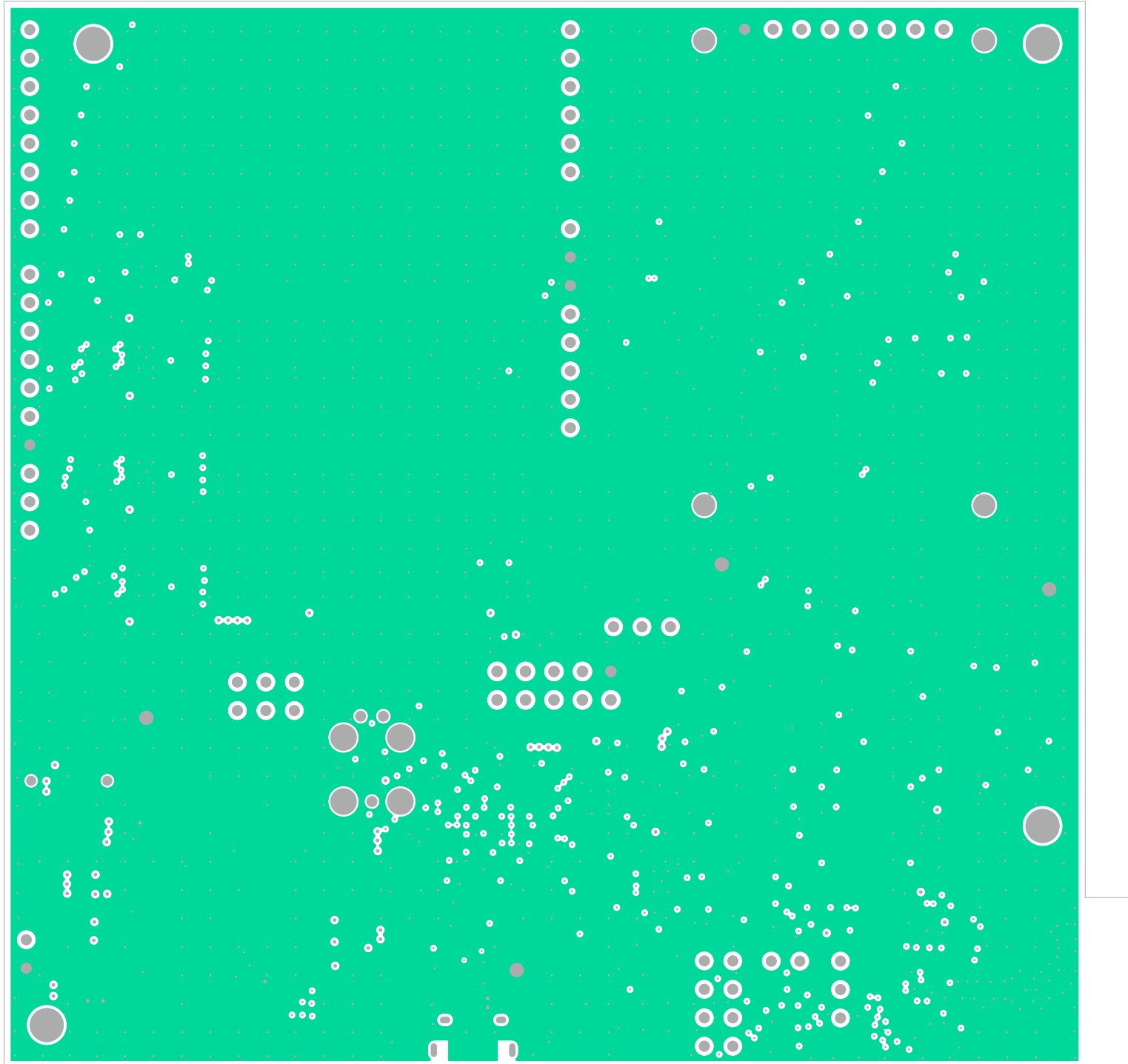


GOODiX Shenzhen Goodix Technology CO.,LTD		
Title POWER		
Size A	GR5515-SK-BASIC	Rev E
Date:	Thursday, May 04, 2023	Sheet 1 of 5

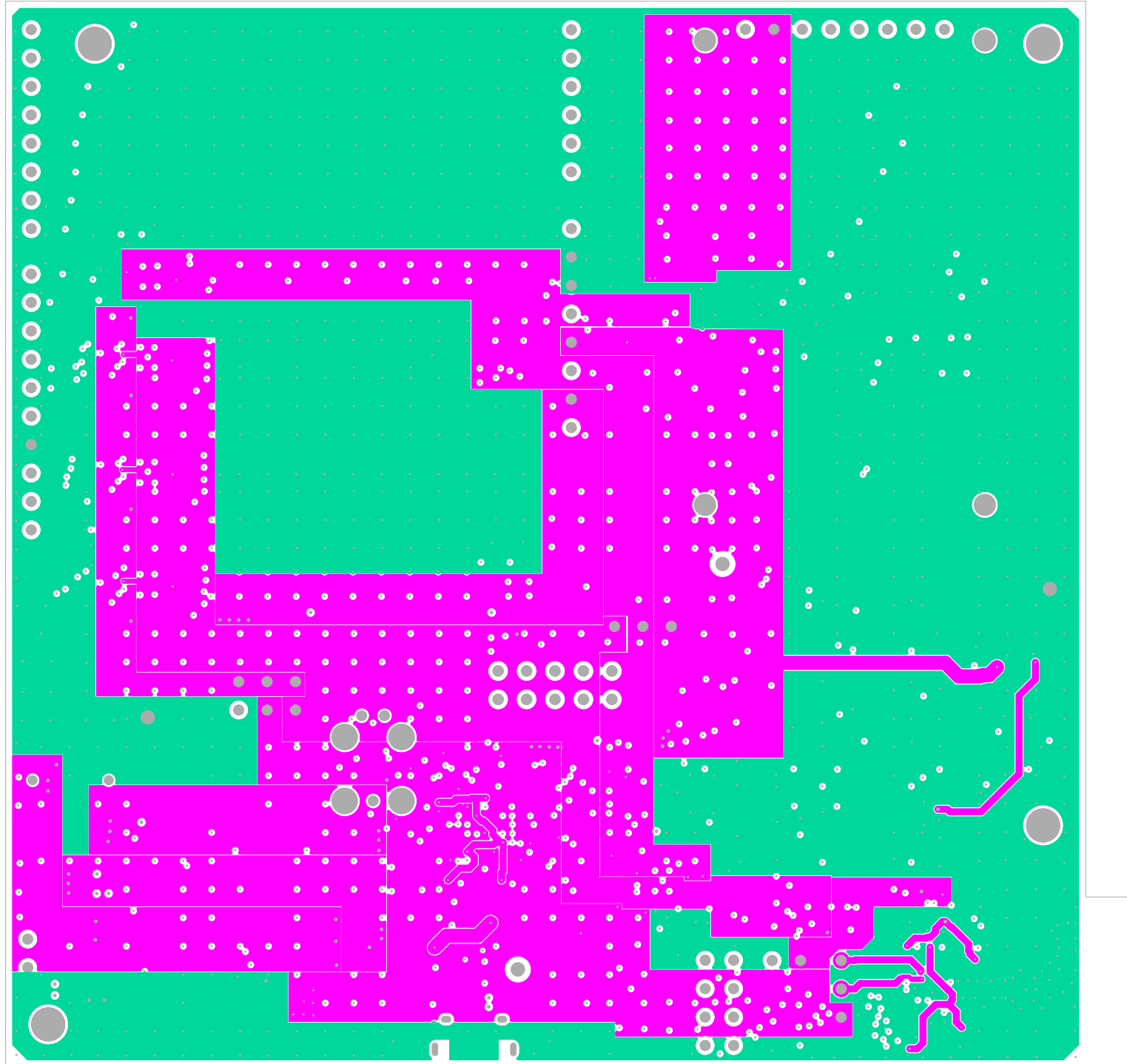
1. Layer1 (Top)



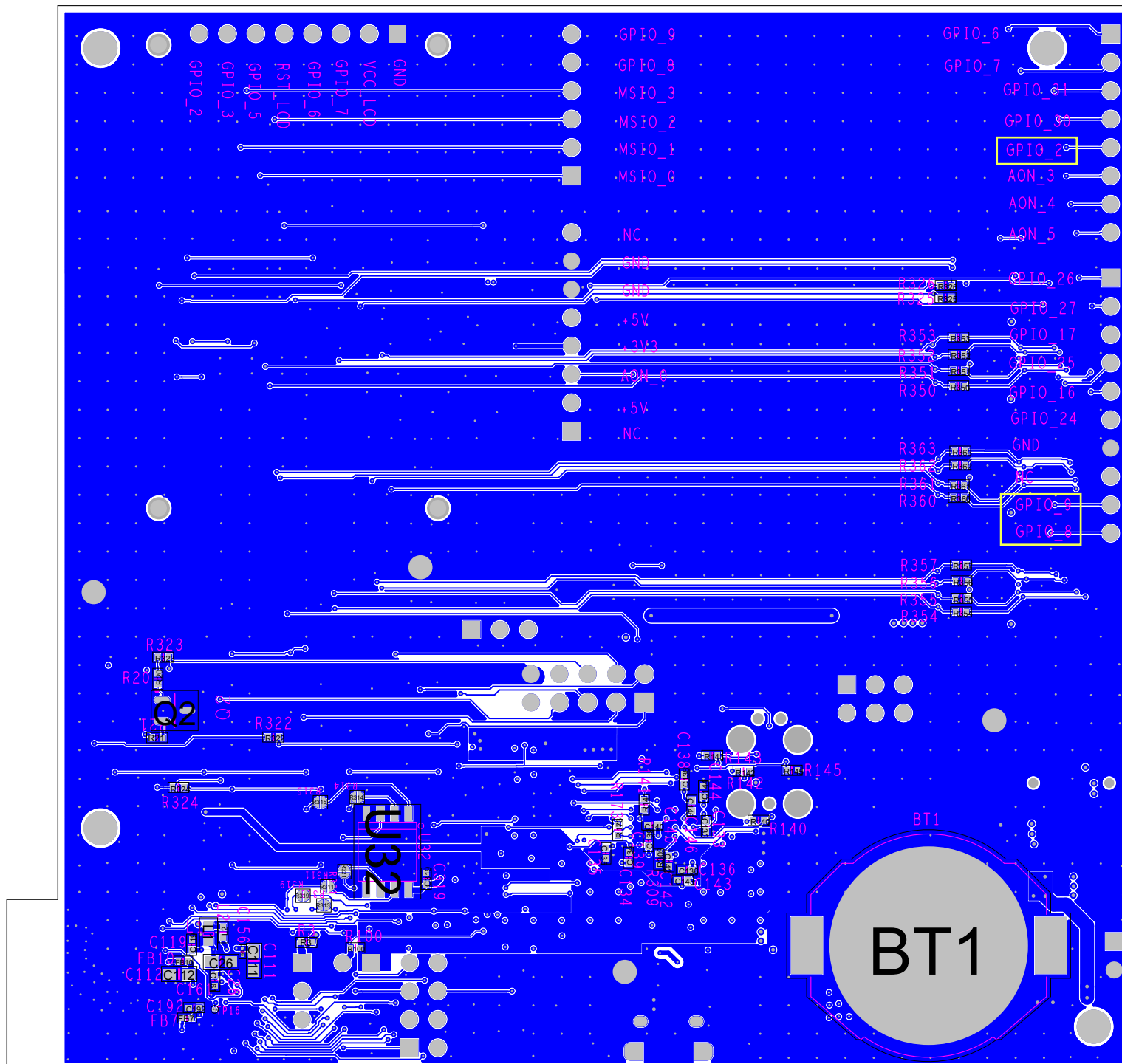
2. Layer2



3. Layer3



4. Layer4



图中标识的GPIO_2应该为AON_2, GPIO_9应该为GPIO_8, GPIO_8应该为GPIO_9